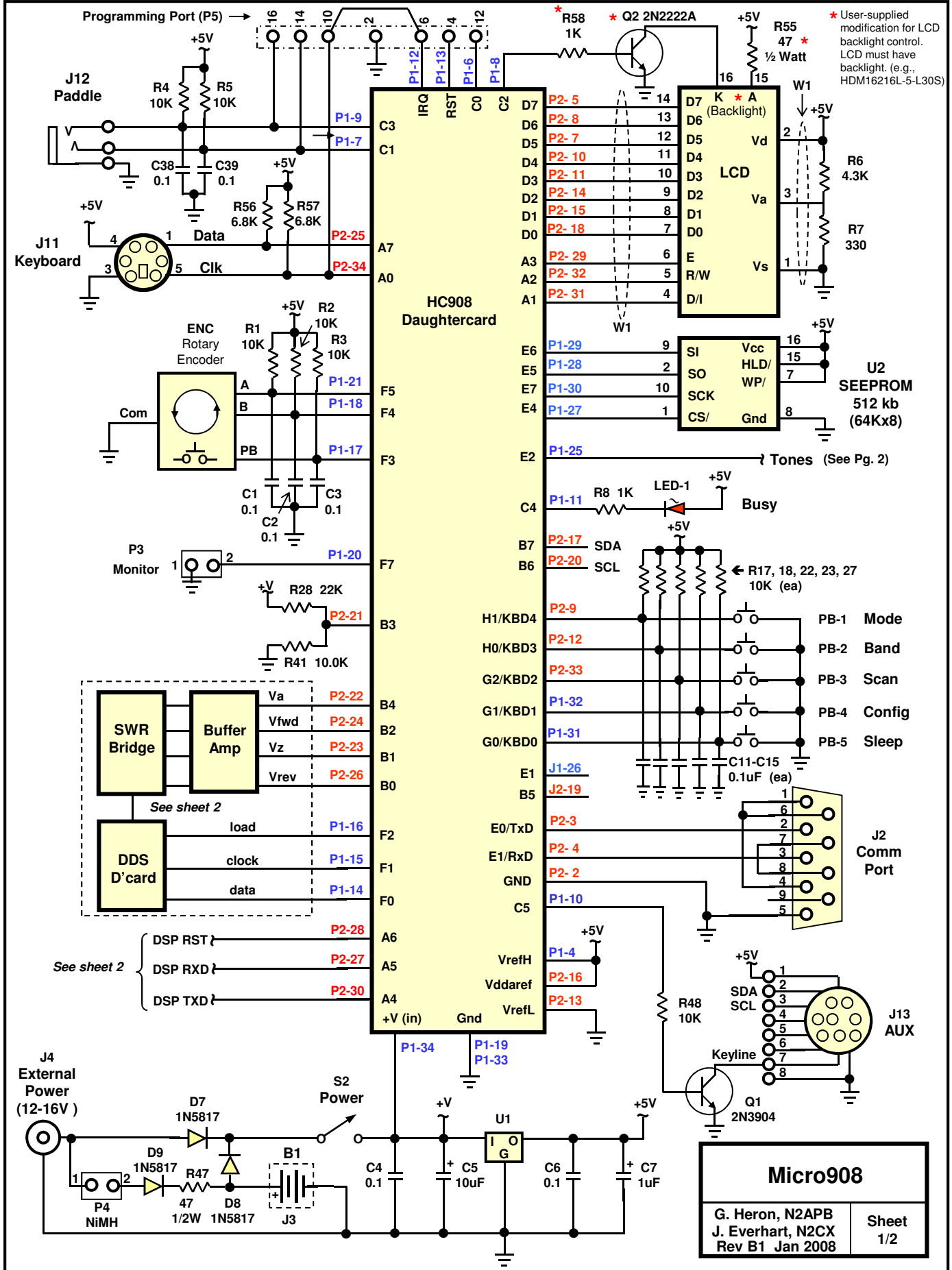
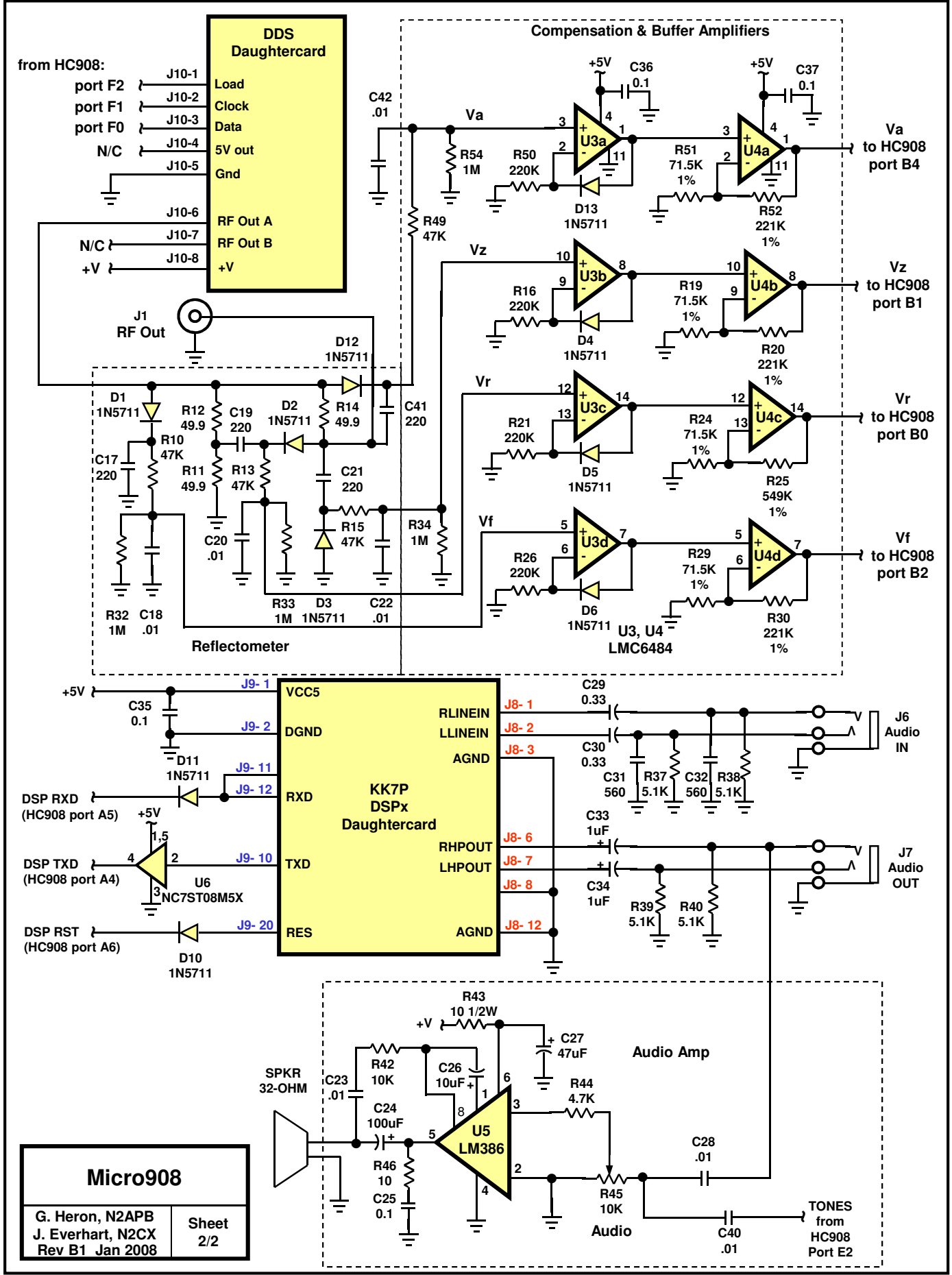


IRQ Jumper for KBD Use



\* User-supplied modification for LCD backlight control. LCD must have backlight. (e.g., HDM16216L-5-L30S)

<b>Micro908</b>	
G. Heron, N2APB J. Everhart, N2CX Rev B1 Jan 2008	Sheet 1/2



**Micro908**

G. Heron, N2APB	Sheet 2/2
J. Everhart, N2CX	
Rev B1 Jan 2008	