

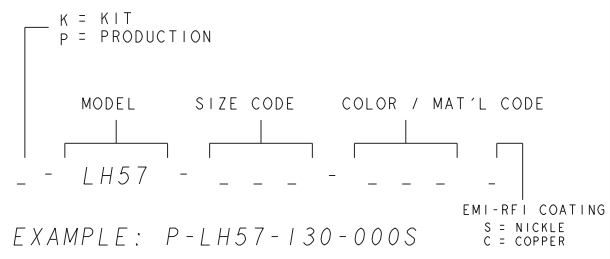
FOR ENGINEERING DRAWING SEE SIDE 2

*SUPPLIED WITH KIT ONLY

MODEL	① TOP COVER	② BOTTOM COVER	*③ PANEL BLANK	④ SCREW	⑤ FEET
LH57-130	73459-01	73460-01	71884-16	60227-16	60221-01
LH57-200	73459-01	73461-01	71884-17	60227-09	60221-01

73463-00 REV C 4/98

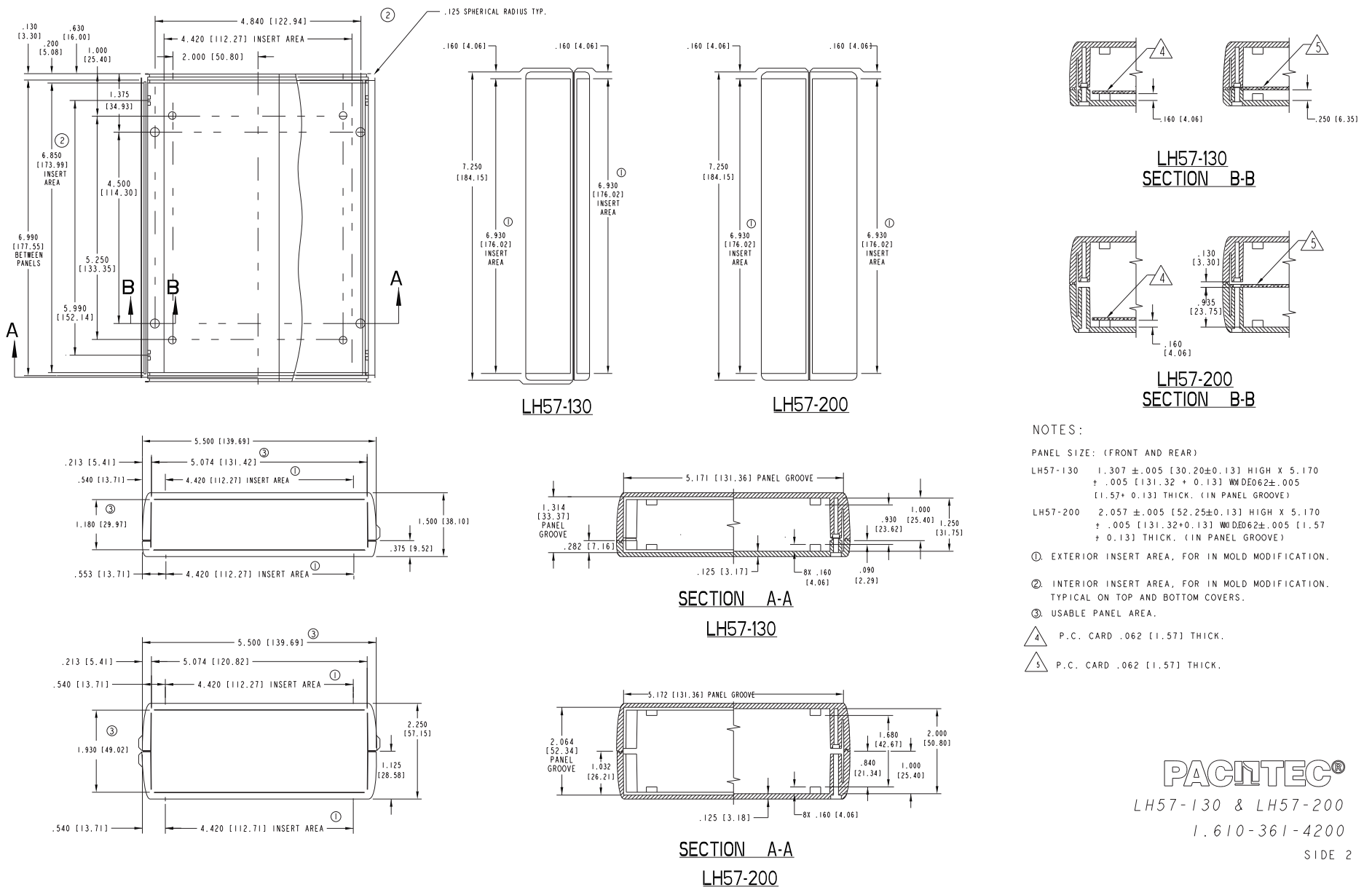
MODEL NUMBER GENERATION



COLOR / MAT'L CODE	94HB	94VO
BLACK	000	028
*GREY	001	024
*TAN	002	025
P.C.BONE	039	060

*SEE FACTORY FOR AVAILABILITY

PACINTEC®
LH57-130 & LH57-200
1-610-361-4200
SIDE 1



NOTES:

- PANEL SIZE: (FRONT AND REAR)
- LH57-130 1.307 ± .005 [30.20 ± 0.13] HIGH X 5.170 + .005 [131.32 + 0.13] WIDE @ 62 ± .005 [1.57 + 0.13] THICK. (IN PANEL GROOVE)
- LH57-200 2.057 ± .005 [52.25 ± 0.13] HIGH X 5.170 + .005 [131.32 + 0.13] WIDE @ 62 ± .005 [1.57 + 0.13] THICK. (IN PANEL GROOVE)
- ① EXTERIOR INSERT AREA, FOR IN MOLD MODIFICATION.
- ② INTERIOR INSERT AREA, FOR IN MOLD MODIFICATION. TYPICAL ON TOP AND BOTTOM COVERS.
- ③ USABLE PANEL AREA.
- △ P.C. CARD .062 [1.57] THICK.
- △ P.C. CARD .062 [1.57] THICK.

PACINTEC®
LH57-130 & LH57-200
1.610-361-4200
SIDE 2

73463-00 REV C 4/98