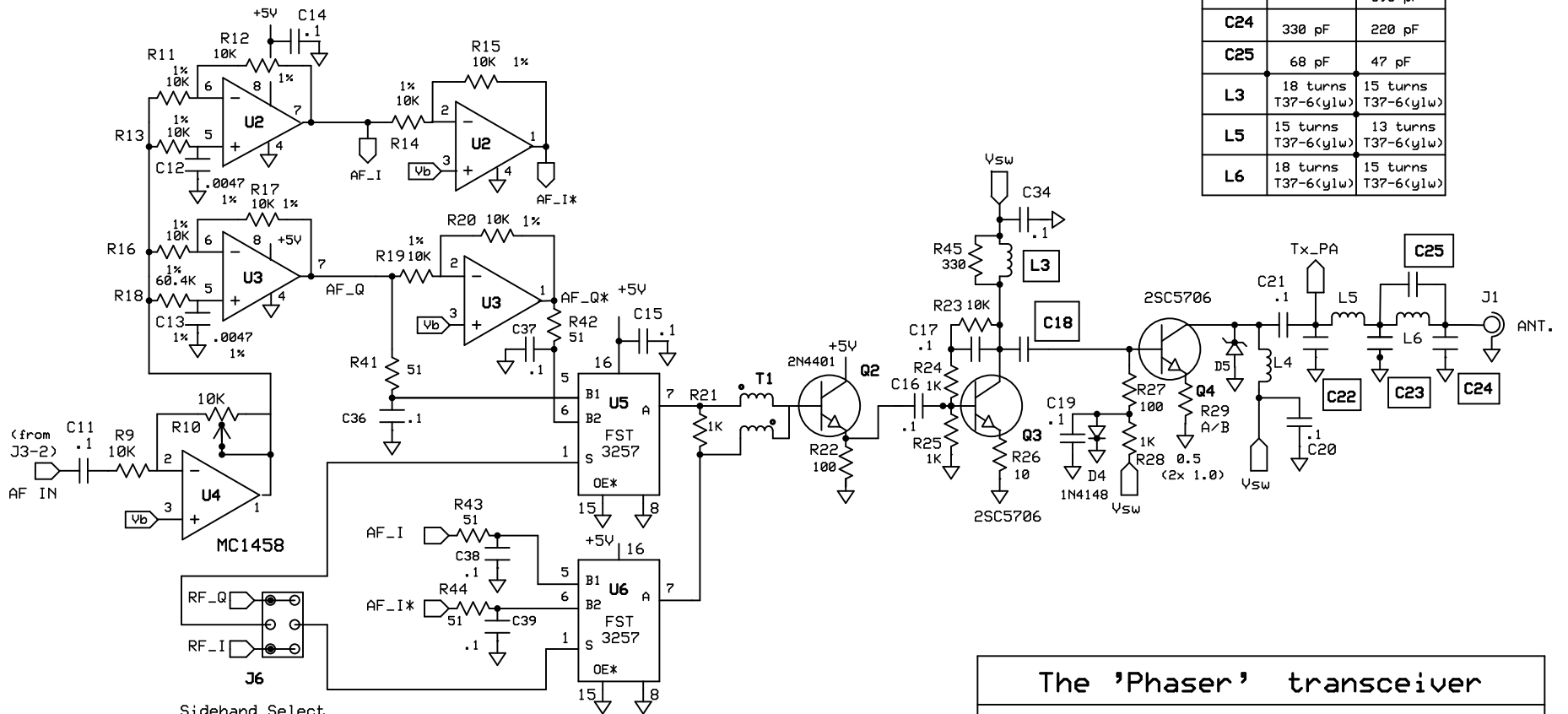


Ref. Des.	30M	20M
C1	47 pF	27 pF
C2	68 pF	150 pF
L1	6.8 uH	4.7 uH
L2	2.2 uH	1 uH

Ref. Des.	30M	20M
C18	220 pF	150 pF
C22	220 pF	150 pF
C23	560 pF	390 pF
C24	330 pF	220 pF
C25	68 pF	47 pF
L3	18 turns T37-6(y1w)	15 turns T37-6(y1w)
L5	15 turns T37-6(y1w)	13 turns T37-6(y1w)
L6	18 turns T37-6(y1w)	15 turns T37-6(y1w)



Sideband Select
(See Appendix 5)

The 'Phaser' transceiver		
Transmitter/receiver Schematic 30M/20M		
Dave Benson, K1SWL	12/3/2019	Page 1 of 2